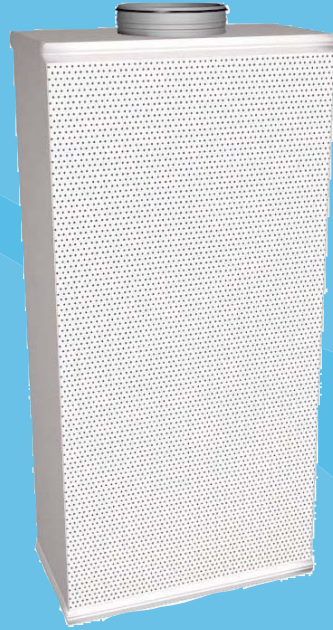


# AFA

## Low Velocity Supply Unit



20/AFAPC/xxxx/0106/EN

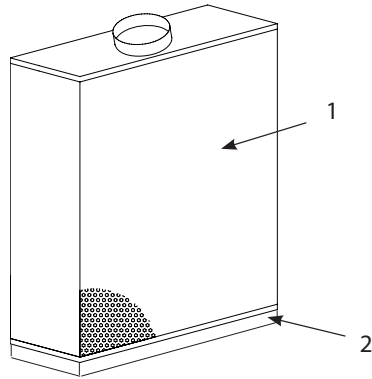
- Horizontal low velocity air supply at floor level or vertical air supply from ceiling
- Can also be installed flush to the wall or to the ceiling
- Detachable front panel and metallic internal structure enable cleaning of the unit and ductwork
- Circular duct connection with integral gasket at the top/bottom (standard), on the side or back

### Product Models & Accessories

- Optional duct connection locations
- Stainless steel (18 ga.) design
- Model with thick front panel
- Duct cover
- Installation base
- Installation frame

### MATERIAL AND FINISHING

PART	MATERIAL	NOTE
Front panel	Perforated galvanized steel	
Casing	Galvanized steel	
Flow equalization element	Galvanized steel	
Cover strip	Plastic PVC	
Coupling sleeve with gasket	Galvanized steel	Gasket of rubber compound
Installation base	Galvanized steel	
Installation frame	Steel	
Duct cover	Galvanized steel	



	CODE	DESCRIPTION
Duct cover (1)	DC	For covering the ductwork standard length 39.37", 59.05", or 78.74".
Installation base (2)	AS	For installation of the unit above floor level standard height 1.96".
Installation base high model	AS	For installation of the unit higher than floor level with extended dimensions (+ 2.36") standard height 7.87".

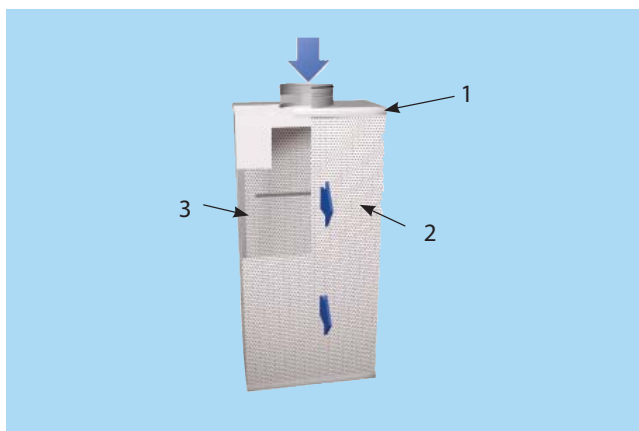
## Product Options & Accessories

### Product options

- Duct cover (DC) made of perforated steel
- (same as AFA)
- Construction made of Stainless Steel (18 gauge)
- Thicker front panel
- Smaller than standard duct connection of the unit
- Optional duct connection sides (left, right or back)
- Cover strip in white, grey, or black color

## SOUND LEVEL DATA, SUPPLY

	$q_v$ (cfm)	$\Delta p_{st}$ (in.WC)	$\Delta p_{tot}$ (in.WC)	F (Hz)								$L_{pA}$ [dB(A)]	NR	NC
				63	125	250	500	1000	2000	4000	8000			
AFA-160	104	0.04	0.06	45	31	28	29	18	4	16	19	25	22	19
	134	0.07	0.10	46	35	34	35	27	14	17	20	30	27	25
	163	0.11	0.14	47	38	38	39	35	23	18	21	35	31	30
	189	0.15	0.20	48	40	42	43	41	31	20	21	40	37	36
AFA-200	176	0.05	0.06	45	27	31	29	20	8	8	20	25	23	20
	218	0.07	0.10	46	32	34	34	28	18	14	21	30	26	24
	261	0.10	0.14	47	36	37	38	35	28	19	22	35	31	30
	303	0.14	0.19	47	38	39	42	41	35	24	22	40	37	36
AFA-250	292	0.05	0.06	42	28	32	28	20	12	15	20	25	23	20
	343	0.06	0.09	43	31	35	34	28	20	18	22	30	26	24
	392	0.08	0.12	44	34	38	38	34	26	21	24	35	31	29
	464	0.12	0.16	44	37	41	42	40	34	24	24	40	36	35



### Servicing

CODE	DESCRIPTION
1	Cover strips
2	Front panel
3	Flow equalization element

### Function

Air is supplied into the space through the front panel of the unit, normally at a slightly lower temperature than the room air temperature.

The supply air flows down to floor level and gradually pervades at low velocity level the occupied space and finally rises up due to the convection of warm surfaces. The low velocity flow pattern is directed forwards.

Openable and cleanable unit with non-clogging design

Note: The flow pattern data has been defined for a floor installation.

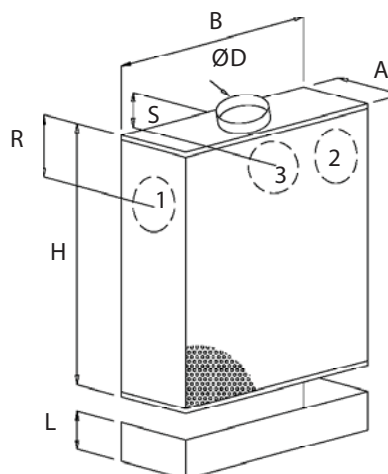
Open the front panel (2) by first removing the cover strips (1) and unscrewing the screws. Pull out the front panel. If required, the flow equalization element (3) can be detached by unscrewing the fixing screws. Pull out the inner structure.

Wipe the parts with a damp cloth, instead of immersing in water. Reassemble after cleaning in reverse order.

### DIMENSIONS

Model	B	H	R	A	S	ØD
160	21.26"	21.26"	5.31"	10.24"	3.94"	6.23"
200	21.26"	44.88"	5.71"	11.22"	4.88"	7.87"
250	25.59"	53.15"	6.70"	13.19"	5.98"	9.85"
315	32.28"	63.00"	7.87"	15.55"	7.40"	12.40"
400	38.78"	78.74"	9.61"	19.49"	8.82"	15.75"
1000x300	47.04"	78.74"	-	15.55"	-	39.2"X11.73"

- AS/AFA installation base: height = 2"
- SB/AFA installation base, high model: height = 8", W=W+5", K=K+2".



## Installation

Perform the installation in the numerical order.

1. Fix mounting brackets (4 places) to low velocity unit.
2. Remove plastic cover strips from unit.
3. Locate unit against wall and secure through mounting brackets.
4. Fix duct cover support brackets to wall between unit and ceiling.
5. Position AS base against lower flange of the unit.
6. After installation of ductwork, locate DC duct cover as follows :

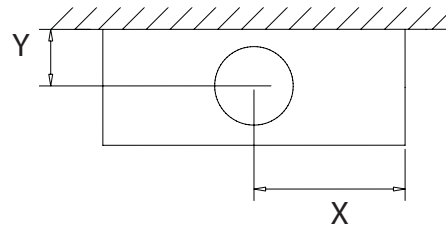
Locate DC duct cover section on top flange of AF unit and firmly push into support brackets fixed to wall.

7. Secure DC duct cover with screws through cover into support brackets.

8. Re-fit plastic cover strips between DC duct cover and AF unit, and between AS base and AF unit by bending strip back and pressing bead into groove in flange, as shown in diagram below.

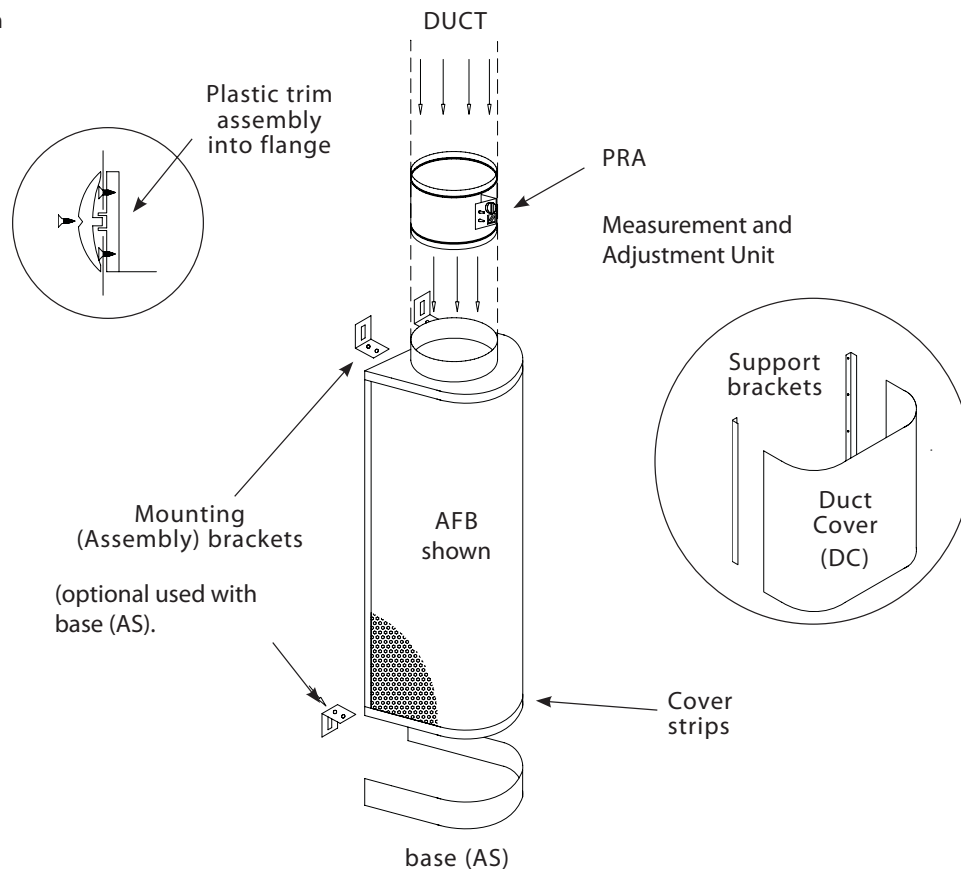
9. When multiple sections of DC duct cover are used plastic cover strips are provided.

Top View



AFA	X	Y
160	10.63"	4.09"
200	10.63"	4.76"
250	12.79"	5.71"
315	16.14"	7.28"
400	19.41"	8.82"
1000X300	23.62"	7.95"

## Duct installation



## Suggested specifications

The low velocity unit shall be made of power coat epoxy-painted galvanized steel, with white (RAL 9010) color.

The unit shall have a sturdy maintenance-free, non-clogging structure.

The unit shall comprise of a detachable, perforated front panel and a hygienic internal fixed flow equalization element.

The unit shall have a circular duct connection at the top, the left, right side or back depending on where the unit is located.

Mounting brackets shall be included with the delivery.

## Option

The unit shall be equipped with a duct cover, installation base and/or colored cover strip where required.

The front panel of the unit shall be made of 18 gauge galvanized steel, and other power coat paint RAL color choices are available.

## Product code

AFA/S-D

S = Location of duct connection

T	Top
L	Left
R	Right
B	Back

D = Size of duct connection

160, 200, 250, 315, 400, 1000 x 300

## Specifics and accessories

MA = Material

CS	Steel
AS	Stainless steel

TP = Front panel thickness 18 ga.

CO = Color

W	White
X	Special color

CP = Plastic Strip Color

W	White
G	Grey
B	Black

DC = Duct Cover

## AC = Accessories

AS	Base
PRA	Adjustment and Measurement Unit

## Code example

AFA 200 - (X) + AS + DC xxx + PRA

1 2 3 4 5 6

1	Product type
2	Nominal size (Collar size)
3	Placement of duct connection
(x)	Normal (top position)
1	Left
2	Right
3	Back
4	Base (AS)
5	Duct cover (DC) and length (xxx)
6	Adjustment and measurement unit PRA